

Auto Shut-Off Leak Detector Instructions

The Automatic Shut-off Leak Detector is a safety device designed to protect your home from water damage by instantly disrupting the water supply to the AquaTru Under Sink water purifier if a leak is detected. This mechanical unit requires no batteries or electrical power. **For successful operation, the detector must be mounted at the lowest possible point under the sink where water is most likely to pool. To ensure proper operation of the leak detector, the bottom of the detector must be flush with the floor. If the detector is tilted or elevated, it will not activate, increasing the risk of undetected leaks and water damage.**

How it works: When water or moisture reaches the detector, a compressed cotton pad inside the unit immediately absorbs the water and begins to expand. This physical expansion snaps the internal valve shut, immediately halting the flow of water into the AquaTru Under Sink water purifier. Once the source of the leak is resolved, the valve can be reset by simply replacing the expanded pad with a fresh, dry one.



Accessories included

- 2 pieces of double-sided tape
- 2 screws
- 2 blue locking clips
- 3 compressed cotton pads

Operating Parameters

- Connection type: 1/4" quick connect fittings for inlet and outlet
- Maximum working pressure: 100 psi

Installation steps

Important Note: The leak detector must be installed at the lowest possible point under the sink where water is most likely to pool. The leak detector must be installed such that the base is flush with the floor. **PROPER ORIENTATION OF THE LEAK DETECTOR IS CRITICAL; INCORRECT INSTALLATION WILL PREVENT THE LEAK DETECTOR FROM FUNCTIONING IN THE EVENT OF A LEAK.**

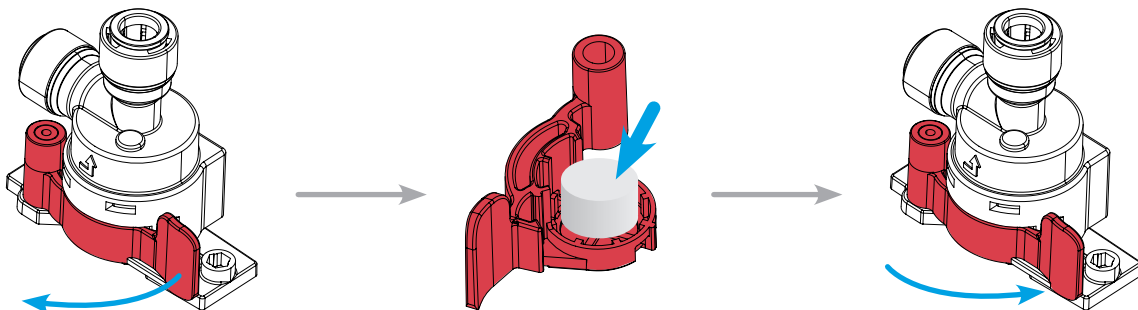
The leak detector must be installed before flushing water through the AquaTru Under Sink water purifier system for the first time. The installation area and the AquaTru Under Sink water purifier system must be kept dry while installing the leak detector.

STEP
1

Insert a fresh cotton pad into the detector.

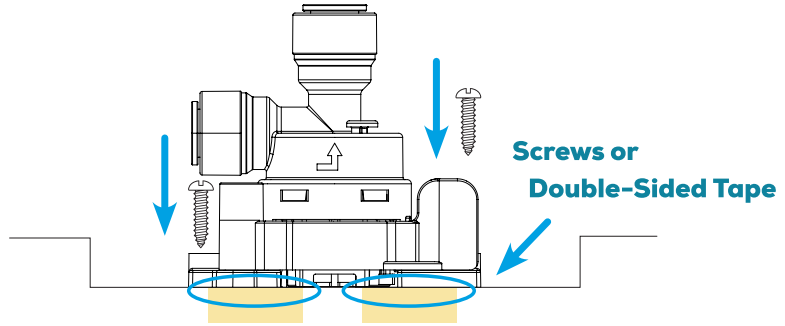
a. Pull open the sliding cover.

b. Insert a dry, compressed, cotton pad in the pad slot. Close the sliding cover.

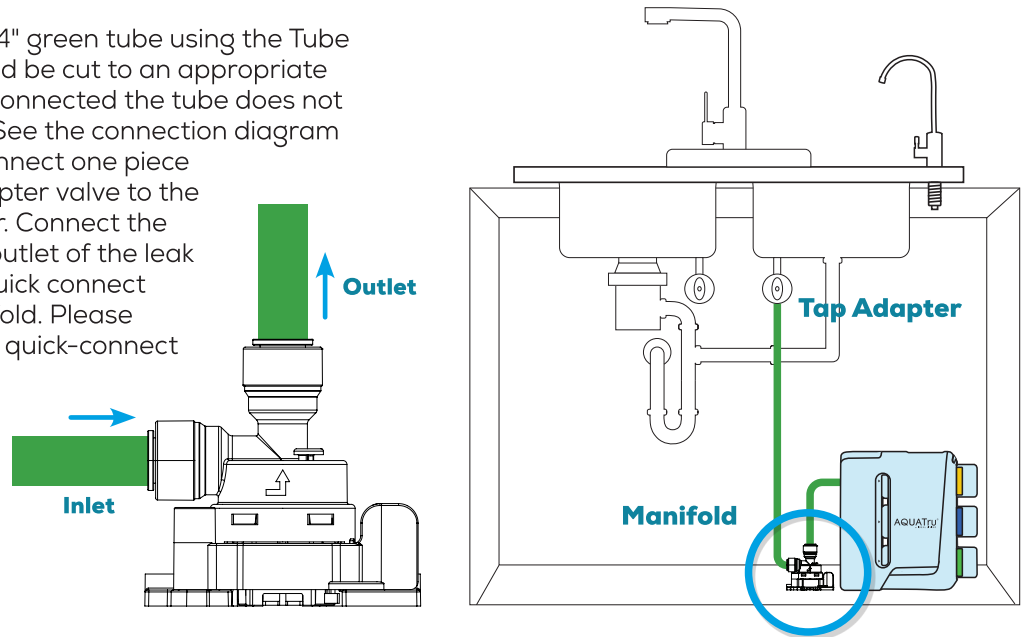


Auto Shut-Off Leak Detector Instructions

STEP 2 Once you have located the optimal site for the leak detector, secure the leak detector using the screws or the double-sided tape. Secure it to the lowest possible point under your sink where water is most likely to pool.



STEP 3 Cut two pieces of the 1/4" green tube using the Tube Cutter. Each piece should be cut to an appropriate length such that when connected the tube does not bend or get damaged. See the connection diagram below for reference. Connect one piece from the tap water adapter valve to the inlet of the leak detector. Connect the second piece from the outlet of the leak detector to the green quick connect fitting on the filter manifold. Please consult user manual for quick-connect tubing instructions.



How to replace a used cotton pad

If a leak has triggered your leak detector, locate the leak and resolve it **BEFORE** you replace the cotton pad. The area around the leak detector must be kept dry while replacing the cotton pad.

1. Close the tap water adapter valve (turn clockwise).
2. Pull open the sliding cover (**Fig 1**).
3. Remove the expanded pad (**Fig 2**).
4. Insert a dry, compressed cotton pad. Close the sliding cover (**Fig 3**).
5. Slowly open the tap water adapter valve (turn counterclockwise) to allow tap water to enter the system.

